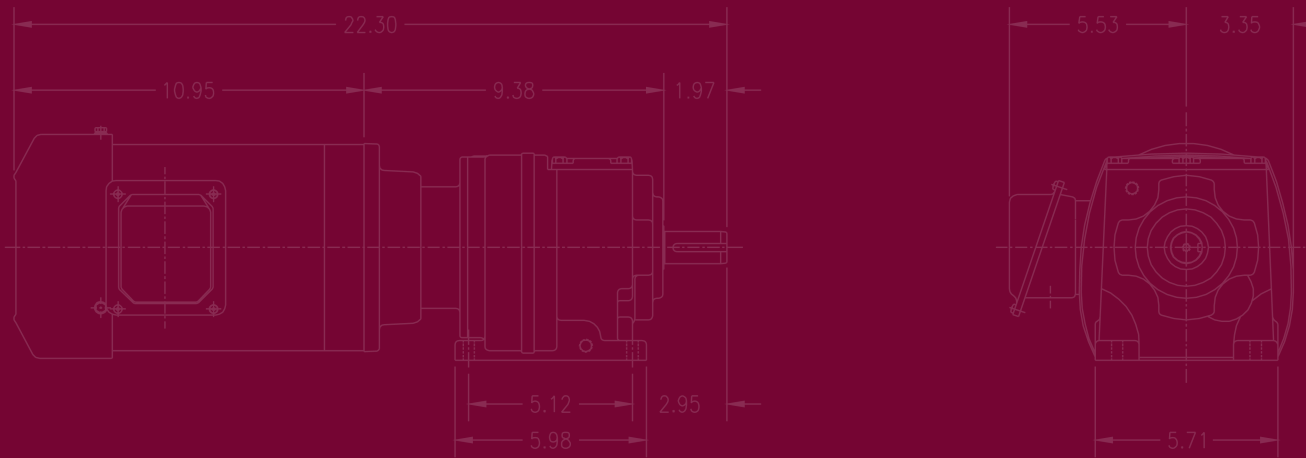


STERLING ELECTRIC, INC.



SSR2000 SELECTION AND PRICING



STERLING

ELECTRIC, INC.

Sterling Electric offers a full range of Stainless Steel Products to meet the demands found in today's Food Processing, Meat Processing, Pharmaceutical and Sanitary applications. Our unique SSR2000 Helical Inline gear product offers the next addition to our existing family of Stainless Steel Motors, Right Angle Worm Gear and Single Reduction Helical Speed Reducers.

The SSR2000 inline product offers a Premium Efficient drive system through the use of Helical Gearing in an all stainless steel constructed housing which eliminates coated surfaces and the worry of rust or corrosion.

This new series of helical reducers also provides interchangeability with other major brands of standard cast iron painted product found in the market. Contact our customer service representatives to assist you with interchanging a painted helical product with our new SSR2000 helical inline product

The all NEW SSR2000 Series Helical Gearmotors or Reducers are offered in a wide range of Horsepower's and Ratio's to assist you in your future sanitary application requirements. This product brochure outlines the existing sizes and range of product that are available for your selection.



Sterli-Seal® Washdown Duty SSR2000 Reducers

- 304 Stainless Steel Investment Cast Housing
- Electro-polished surfaces to reduce growth of bacteria
- Full Washdown capability with hooded pressure vent to eliminate internal pressure.
- Double Lip Viton® Seals
- Solid Input Shaft Style
- C-Face (Coupling) Style Motor Input Construction
- NEMA Frames 56C, 143/145TC or 182/184TC Input Sizes are available
- Full Range of ratio's starting at 2:1 through 56:1
- Double Reduction Helical Gear Design to provide optimum efficiency



Sterli-Seal® Washdown Duty SSR2000 Gearmotors

- .33 through 5HP
- 3 Phase, 60 Hz., 230/460 Volt
- 3 Phase, 50 Hz. Various Voltages available (consult factory for pricing)
- 1 Phase, 60 Hz., 115/230 Volt available (consult factory for pricing)
- TENV or TEFC Motor Enclosures
- 304 Stainless Steel Investment Cast Reducer Housing
- Electro-polished surfaces to reduce growth of bacteria
- Full Washdown capability with hooded pressure vent to eliminate internal pressure.
- Double Lip Viton® Seals
- C-Face (Coupling) Style Motor Input Construction or ease of maintenance
- Full Range of output speeds starting at 901 Rpm to 32 RPM
- Double Reduction Helical Gear Design to provide optimum efficiency

Gearmotor Selection and Pricing

.33 HORSEPOWER – TENV Enclosure					
F/L RPM	Exact Ratio	Double REDUCTION		Output Torque (inch lbs)	List Price
		Frame	Model No.		
901	1.94	56C-R0402A	SSR0402AY03901	22	\$ 2791
817	2.14		SSR0402AY03817	24	\$ 2791
706	2.48	56C-R0402A	SSR0402AY03706	28	\$ 2791
607	2.88		SSR0402AY03607	32	\$ 2791
548	3.19	56C-R0402A	SSR0402AY03548	36	\$ 2791
493	3.55		SSR0402AY03493	40	\$ 2791
442	3.96	56C-R0402A	SSR0402AY03442	44	\$ 2791
394	4.44		SSR0402AY03394	50	\$ 2791
349	5.01	56C-R0402A	SSR0402AY03349	56	\$ 2791
320	5.47		SSR0402AY03320	61	\$ 2791
307	5.69	56C-R0402A	SSR0402AY03307	64	\$ 2791
276	6.33		SSR0402AY03276	71	\$ 2791
238	7.36	56C-R0402A	SSR0402AY03238	82	\$ 2791
215	8.15		SSR0402AY03215	91	\$ 2791
193	9.07	56C-R0402A	SSR0402AY03193	101	\$ 2791
173	10.12		SSR0402AY03173	113	\$ 2791
154	11.35	56C-R0402A	SSR0402AY03154	127	\$ 2791
137	12.80		SSR0402AY03137	143	\$ 2791
133	13.20	56C-R0402A	SSR0402AY03133	147	\$ 2791
118	14.86		SSR0402AY03118	166	\$ 2791
103	16.99	56C-R0402A	SSR0402AY03103	190	\$ 2791
98	17.92		SSR0402AY03098	200	\$ 2791
92	19.08	56C-R0402A	SSR0402AY03092	213	\$ 2791
77	22.75		SSR0402AY03077	254	\$ 2791
64	27.31	56C-R0402A	SSR0402AY03064	305	\$ 2791
52	33.69		SSR0402AY03052	376	\$ 2791
46	37.95	56C-R0402A	SSR0402AY03046	424	\$ 2791
40	43.38		SSR0402AY03040	484	\$ 2791
36	48.72	56C-R0402A	SSR0402AY03036	544	\$ 2791
32	55.38		SSR0402AY03032	618	\$ 2791

.50 HORSEPOWER – TENV Enclosure					
F/L RPM	Exact Ratio	Double REDUCTION		Output Torque (inch lbs)	List Price
		Frame	Model No.		
901	1.94	56C-R0402A	SSR0402AY05901	33	\$ 2806
817	2.14		SSR0402AY05817	36	\$ 2806
706	2.48	56C-R0402A	SSR0402AY05706	42	\$ 2806
607	2.88		SSR0402AY05607	49	\$ 2806
548	3.19	56C-R0402A	SSR0402AY05548	54	\$ 2806
493	3.55		SSR0402AY05493	60	\$ 2806
442	3.96	56C-R0402A	SSR0402AY05442	67	\$ 2806
394	4.44		SSR0402AY05394	75	\$ 2806
349	5.01	56C-R0402A	SSR0402AY05349	85	\$ 2806
320	5.47		SSR0402AY05320	92	\$ 2806
307	5.69	56C-R0402A	SSR0402AY05307	96	\$ 2806
276	6.33		SSR0402AY05276	107	\$ 2806
238	7.36	56C-R0402A	SSR0402AY05238	124	\$ 2806
215	8.15		SSR0402AY05215	138	\$ 2806
193	9.07	56C-R0402A	SSR0402AY05193	153	\$ 2806
173	10.12		SSR0402AY05173	171	\$ 2806
154	11.35	56C-R0402A	SSR0402AY05154	192	\$ 2806
137	12.80		SSR0402AY05137	217	\$ 2806
133	13.20	56C-R0402A	SSR0402AY05133	223	\$ 2806
118	14.86		SSR0402AY05118	251	\$ 2806
103	16.99	56C-R0402A	SSR0402AY05103	288	\$ 2806
98	17.92		SSR0402AY05098	303	\$ 2806
92	19.08	56C-R0402A	SSR0402AY05092	323	\$ 2806
77	22.75		SSR0402AY05077	385	\$ 2806
64	27.31	56C-R0402A	SSR0402AY05064	462	\$ 2806
52	33.69		SSR0402AY05052	570	\$ 2806
46	37.95	56C-R0402A	SSR0402AY05046	642	\$ 2806
40	43.38		SSR0402AY05040	734	\$ 2806
36	48.72	56C-R0402A	SSR0402AY05036	824	\$ 2806
32	55.38		SSR0402AY05032	937	\$ 2806

.75 HORSEPOWER – TENV Enclosure					
F/L RPM	Exact Ratio	Double REDUCTION		Output Torque (inch lbs)	List Price
		Frame	Model No.		
901	1.94	56C-R0402A	SSR0402AY07901	49	\$ 2898
817	2.14		SSR0402AY07817	54	\$ 2898
706	2.48	56C-R0402A	SSR0402AY07706	63	\$ 2898
607	2.88		SSR0402AY07607	73	\$ 2898
548	3.19	56C-R0402A	SSR0402AY07548	81	\$ 2898
493	3.55		SSR0402AY07493	90	\$ 2898
442	3.96	56C-R0402A	SSR0402AY07442	101	\$ 2898
394	4.44		SSR0402AY07394	113	\$ 2898
349	5.01	56C-R0402A	SSR0402AY07349	127	\$ 2898
320	5.47		SSR0402AY07320	139	\$ 2898
307	5.69	56C-R0402A	SSR0402AY07307	145	\$ 2898
276	6.33		SSR0402AY07276	161	\$ 2898
238	7.36	56C-R0402A	SSR0402AY07238	187	\$ 2898
215	8.15		SSR0402AY07215	207	\$ 2898
193	9.07	56C-R0402A	SSR0402AY07193	230	\$ 2898
173	10.12		SSR0402AY07173	257	\$ 2898
154	11.35	56C-R0402A	SSR0402AY07154	288	\$ 2898
137	12.80		SSR0402AY07137	325	\$ 2898
133	13.20	56C-R0402A	SSR0402AY07133	335	\$ 2898
118	14.86		SSR0402AY07118	377	\$ 2898
103	16.99	56C-R0402A	SSR0402AY07103	431	\$ 2898
98	17.92		SSR0402AY07098	455	\$ 2898
92	19.08	56C-R0402A	SSR0402AY07092	484	\$ 2898
77	22.75		SSR0402AY07077	577	\$ 2898
64	27.31	56C-R0402A	SSR0402AY07064	693	\$ 2898
52	33.69		SSR0402AY07052	855	\$ 2898
46	37.95	56C-R0402A	SSR0402AY07046	963	\$ 2898
40	43.38		SSR0402AY07040	1101	\$ 2898
36	48.72	56C-R0402A	SSR0402AY07036	1236	\$ 2898
32	55.38		SSR0402AY07032	1406	\$ 2898

1.0 HORSEPOWER – TEFC Enclosure					
F/L RPM	Exact Ratio	Double REDUCTION		Output Torque (inch lbs)	List Price
		Frame	Model No.		
901	1.94	56C-R0402A	SSR0402A001901	66	\$ 2927
817	2.14		SSR0402A001817	72	\$ 2927
706	2.48	56C-R0402A	SSR0402A001706	84	\$ 2927
607	2.88		SSR0402A001607	97	\$ 2927
548	3.19	56C-R0402A	SSR0402A001548	108	\$ 2927
493	3.55		SSR0402A001493	120	\$ 2927
442	3.96	56C-R0402A	SSR0402A001442	134	\$ 2927
394	4.44		SSR0402A001394	150	\$ 2927
349	5.01	56C-R0402A	SSR0402A001349	170	\$ 2927
320	5.47		SSR0402A001320	185	\$ 2927
307	5.69	56C-R0402A	SSR0402A001307	193	\$ 2927
276	6.33		SSR0402A001276	214	\$ 2927
238	7.36	56C-R0402A	SSR0402A001238	249	\$ 2927
215	8.15		SSR0402A001215	276	\$ 2927
193	9.07	56C-R0402A	SSR0402A001193	307	\$ 2927
173	10.12		SSR0402A001173	342	\$ 2927
154	11.35	56C-R0402A	SSR0402A001154	384	\$ 2927
137	12.80		SSR0402A001137	433	\$ 2927
133	13.20	56C-R0402A	SSR0402A001133	447	\$ 2927
118	14.86		SSR0402A001118	503	\$ 2927
103	16.99	56C-R0402A	SSR0402A001103	575	\$ 2927
98	17.92		SSR0402A001098	606	\$ 2927
92	19.08	56C-R0402A	SSR0402A001092	646	\$ 2927
77	22.75		SSR0402A001077	770	\$ 2927
64	27.31	56C-R0402A	SSR0402A001064	924	\$ 2927
52	33.69		SSR0402A001052	1140	\$ 2927
46	37.95	56C-R0402A	SSR0402A001046	1284	\$ 2927

Gearmotor Selection and Pricing

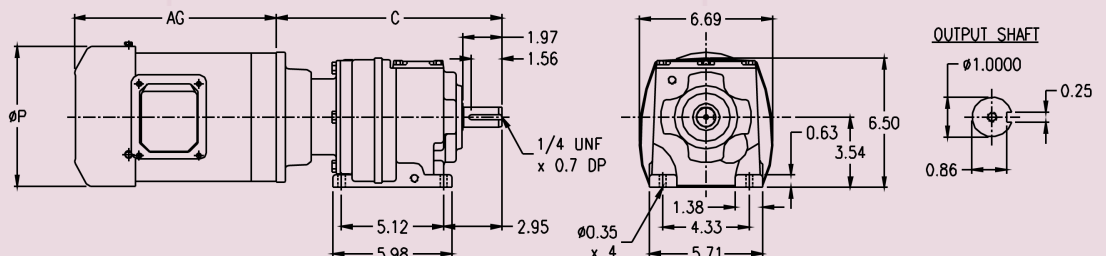
1.50 HORSEPOWER – TEFC Enclosure					
F/L RPM	Exact Ratio	Double REDUCTION		Output Torque (inch lbs)	List Price
		Frame	Model No.		
901	1.94	56C-R0402A	SSR0402AY15901	99	\$ 2957
817	2.14		SSR0402AY15817	109	\$ 2957
706	2.48	56C-R0402A	SSR0402AY15706	126	\$ 2957
607	2.88		SSR0402AY15607	146	\$ 2957
548	3.19	56C-R0402A	SSR0402AY15548	162	\$ 2957
493	3.55		SSR0402AY15493	180	\$ 2957
442	3.96	56C-R0402A	SSR0402AY15442	201	\$ 2957
394	4.44		SSR0402AY15394	226	\$ 2957
349	5.01	56C-R0402A	SSR0402AY15349	254	\$ 2957
320	5.47		SSR0402AY15320	277	\$ 2957
307	5.69	56C-R0402A	SSR0402AY15307	289	\$ 2957
276	6.33		SSR0402AY15276	321	\$ 2957
238	7.36	56C-R0402A	SSR0402AY15238	373	\$ 2957
215	8.15		SSR0402AY15215	414	\$ 2957
193	9.07	56C-R0402A	SSR0402AY15193	460	\$ 2957
173	10.12		SSR0402AY15173	514	\$ 2957
154	11.35	56C-R0402A	SSR0402AY15154	576	\$ 2957
137	12.80		SSR0402AY15137	650	\$ 2957
133	13.20	56C-R0402A	SSR0402AY15133	670	\$ 2957
118	14.86		SSR0402AY15118	754	\$ 2957
103	16.99	56C-R0402A	SSR0402AY15103	863	\$ 2957
98	17.92		SSR0402AY15098	910	\$ 2957
92	19.08	56C-R0402A	SSR0402AY15092	969	\$ 2957
77	22.75		SSR0402AY15077	1155	\$ 2957

2.0 HORSEPOWER – TEFC Enclosure					
F/L RPM	Exact Ratio	Double REDUCTION		Output Torque (inch lbs)	List Price
		Frame	Model No.		
901	1.94	56C-R0402A	SSR0402A002901	132	\$ 3058
817	2.14		SSR0402A002817	145	\$ 3058
706	2.48	56C-R0402A	SSR0402A002706	168	\$ 3058
607	2.88		SSR0402A002607	195	\$ 3058
548	3.19	56C-R0402A	SSR0402A002548	216	\$ 3058
493	3.55		SSR0402A002493	240	\$ 3058
442	3.96	56C-R0402A	SSR0402A002442	268	\$ 3058
394	4.44		SSR0402A002394	301	\$ 3058
349	5.01	56C-R0402A	SSR0402A002349	339	\$ 3058
320	5.47		SSR0402A002320	370	\$ 3058
307	5.69	56C-R0402A	SSR0402A002307	385	\$ 3058
276	6.33		SSR0402A002276	428	\$ 3058
238	7.36	56C-R0402A	SSR0402A002238	498	\$ 3058
215	8.15		SSR0402A002215	552	\$ 3058
193	9.07	56C-R0402A	SSR0402A002193	614	\$ 3058
173	10.12		SSR0402A002173	685	\$ 3058
154	11.35	56C-R0402A	SSR0402A002154	768	\$ 3058
137	12.80		SSR0402A002137	866	\$ 3058
133	13.20	56C-R0402A	SSR0402A002133	893	\$ 3058
118	14.86		SSR0402A002118	1006	\$ 3058

3.0 HORSEPOWER – TEFC Enclosure					
F/L RPM	Exact Ratio	Double REDUCTION		Output Torque (inch lbs)	List Price
		Frame	Model No.		
901	1.94	182TC-R0402A	SSR0402A003901	197	\$ 3590
817	2.14		SSR0402A003817	217	\$ 3590
706	2.48	182TC-R0402A	SSR0402A003706	252	\$ 3590
607	2.88		SSR0402A003607	292	\$ 3590
548	3.19	182TC-R0402A	SSR0402A003548	324	\$ 3590
493	3.55		SSR0402A003493	360	\$ 3590
442	3.96	182TC-R0402A	SSR0402A003442	402	\$ 3590
394	4.44		SSR0402A003394	451	\$ 3590
349	5.01	182TC-R0402A	SSR0402A003349	509	\$ 3590
320	5.47		SSR0402A003320	555	\$ 3590
307	5.69	182TC-R0402A	SSR0402A003307	578	\$ 3590
276	6.33		SSR0402A003276	643	\$ 3590
238	7.36	182TC-R0402A	SSR0402A003238	747	\$ 3590
215	8.15		SSR0402A003215	828	\$ 3590
193	9.07	182TC-R0402A	SSR0402A003193	920	\$ 3590
173	10.12		SSR0402A003173	1027	\$ 3590
154	11.35	182TC-R0402A	SSR0402A003154	1152	\$ 3590

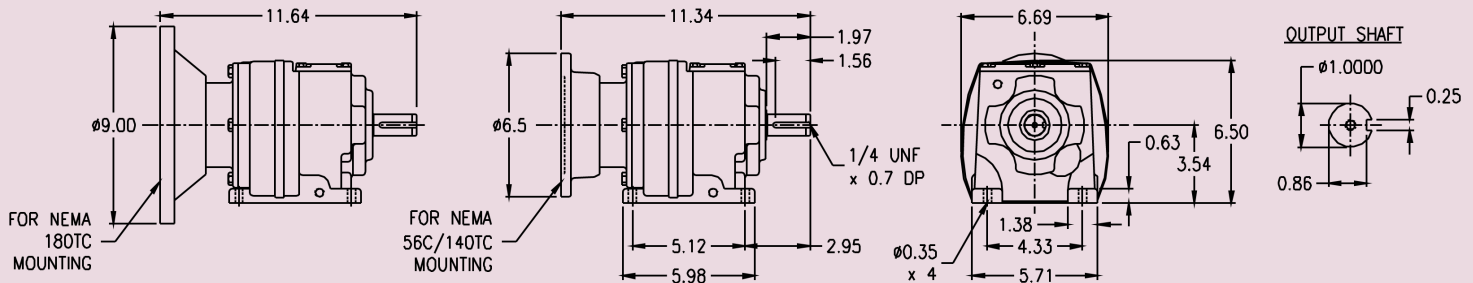
5.0 HORSEPOWER – TEFC Enclosure					
F/L RPM	Exact Ratio	Double REDUCTION		Output Torque (inch lbs)	List Price
		Frame	Model No.		
901	1.94	182TC-R0402A	SSR0402A005901	329	\$ 3728
817	2.14		SSR0402A005817	362	\$ 3728
706	2.48	182TC-R0402A	SSR0402A005706	419	\$ 3728
607	2.88		SSR0402A005607	487	\$ 3728
548	3.19	182TC-R0402A	SSR0402A005548	540	\$ 3728
493	3.55		SSR0402A005493	601	\$ 3728
442	3.96	182TC-R0402A	SSR0402A005442	671	\$ 3728
394	4.44		SSR0402A005394	752	\$ 3728
349	5.01	182TC-R0402A	SSR0402A005349	848	\$ 3728
320	5.47		SSR0402A005320	925	\$ 3728

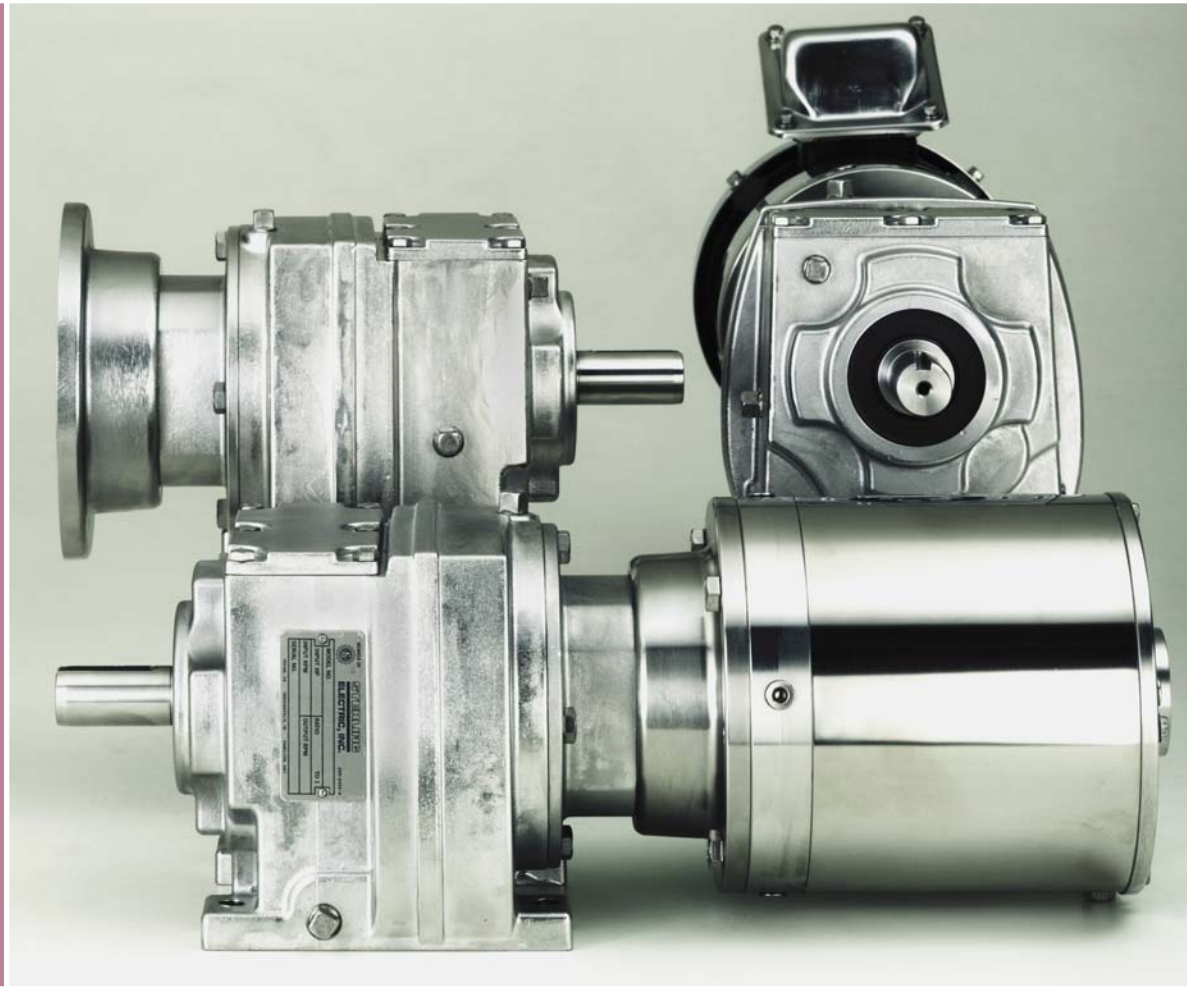
HP	C	AG	ØP
0.33		9.29	6.50
0.50		10.51	6.50
0.75	11.34	10.91	6.50
1.00		12.01	7.13
1.50		12.01	7.13
2.00		12.40	7.13
3.00	11.64	15.63	8.50
5.00		16.25	8.50



Reducer Selection and Pricing

Nominal Ratio	Exact Ratio	Output RPM	Input HP	Max. Output Torque (Inch Lbs)	56C Motor Input Model Number	140TC Motor Input Model Number	List Price	180TC Motor Input Model Number	List Price
2.0	1.94	901	8.02	528	SSR0402AC2.056	SSR0402AC2.014	\$ 2482	SSR0402AC2.018	\$ 2684
2.2	2.14	817	7.86	570	SSR0402AC2.256	SSR0402AC2.214	\$ 2482	SSR0402AC2.018	\$ 2684
2.5	2.48	706	7.58	637	SSR0402AC2.556	SSR0402AC2.514	\$ 2482	SSR0402AC2.018	\$ 2684
3.0	2.88	607	7.28	711	SSR0402AC3.056	SSR0402AC3.014	\$ 2482	SSR0402AC2.018	\$ 2684
3.2	3.19	548	7.06	764	SSR0402AC3.256	SSR0402AC3.214	\$ 2482	SSR0402AC2.018	\$ 2684
3.6	3.55	493	6.64	799	SSR0402AC3.656	SSR0402AC3.614	\$ 2482	SSR0402AC2.018	\$ 2684
4.0	3.96	442	6.17	828	SSR0402AC4.056	SSR0402AC4.014	\$ 2482	SSR0402AC2.018	\$ 2684
4.5	4.44	394	5.70	857	SSR0402AC4.556	SSR0402AC4.514	\$ 2482	SSR0402AC2.018	\$ 2684
5.0	5.01	349	5.22	887	SSR0402AC5.056	SSR0402AC5.014	\$ 2482	SSR0402AC2.018	\$ 2684
5.4	5.47	320	5.05	934	SSR0402AC5.456	SSR0402AC5.414	\$ 2482	SSR0402AC2.018	\$ 2684
5.6	5.69	307	4.75	916	SSR0402AC5.656	SSR0402AC5.614	\$ 2482	-	-
6.3	6.33	276	4.71	1009	SSR0402AC6.356	SSR0402AC6.314	\$ 2482	-	-
7.2	7.36	238	4.53	1129	SSR0402AC7.256	SSR0402AC7.214	\$ 2482	-	-
8.0	8.15	215	4.18	1156	SSR0402AC8.056	SSR0402AC8.014	\$ 2482	-	-
9.0	9.07	193	3.85	1182	SSR0402AC9.056	SSR0402AC9.014	\$ 2482	-	-
10.0	10.12	173	3.52	1208	SSR0402AC01056	SSR0402AC01014	\$ 2482	-	-
11.0	11.35	154	3.21	1233	SSR0402AC01156	SSR0402AC01114	\$ 2482	-	-
12.0	12.80	137	2.90	1257	SSR0402AC01256	SSR0402AC01214	\$ 2482	-	-
13.0	13.20	133	2.38	1062	SSR0402AC01356	SSR0402AC01314	\$ 2482	-	-
14.0	14.86	118	2.14	1077	SSR0402AC01456	SSR0402AC01414	\$ 2482	-	-
17.0	16.99	103	1.90	1092	SSR0402AC01756	SSR0402AC01714	\$ 2482	-	-
18.0	17.92	98	1.88	1139	SSR0402AC01856	SSR0402AC01814	\$ 2482	-	-
20.0	19.08	92	1.71	1103	SSR0402AC02056	SSR0402AC02014	\$ 2482	-	-
22.0	22.75	77	1.65	1269	SSR0402AC02256	SSR0402AC02214	\$ 2482	-	-
27.0	27.31	64	1.48	1369	SSR0402AC02756	SSR0402AC02714	\$ 2482	-	-
32.0	33.69	52	1.22	1389	SSR0402AC03256	SSR0402AC03214	\$ 2482	-	-
36.0	37.95	46	1.09	1399	SSR0402AC03656	SSR0402AC03614	\$ 2482	-	-
42.0	43.38	40	.96	1410	SSR0402AC04256	-	\$ 2482	-	-
50.0	48.72	36	.86	1418	SSR0402AC05056	-	\$ 2482	-	-
54.0	55.38	32	.76	1425	SSR0402AC05456	-	\$ 2482	-	-





STERLING
ELECTRIC, INC.

16752 Armstrong Ave., Irvine, CA 92606
7973 Allison Ave., Indianapolis, IN 46268
799 Rennie St., Hamilton, Ontario L8H7L4

(800) 866-7973 Fax (800) 474-0543
(800) 809-0330 Fax (905) 547-2381